
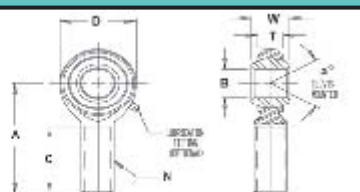

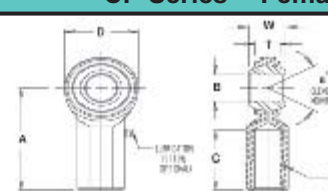


## Commercial Rod Ends

CM-Series -- Male, 2-Piece, Steel														
									MATERIALS					
									BALL			BODY		
									<b>52100 Steel</b> <b>Rc 56 MIN.</b> <b>Hard Chrome Plated</b>			<b>Low Carbon Steel</b> <b>Zinc Plated</b> <b>Chromate Treated</b>		
MALE ROD ENDS		B	D	W	T	BALL	A	N	C	a°	ULT LOAD	Approximate		
Right Hand Part Number	Left Hand Part Number	Length	Length	Width	Width	Diam	Length	Thread	Length	Angle	Static/Radial	Weight		
		+0.0025/-0.001	+0.010/-0.010	+0.005/-0.005	Ref	Ref	+0.015/-0.015	UNF 3A	+0.062/-0.031	Ref.	(lbs.)	(lbs.)		
CM3	CML3	0.190	0.625	0.312	0.234	0.437	1.250	10-32	0.750	20	1,210	0.03		
CM4	CML4	0.250	0.750	0.375	0.250	0.500	1.562	1/4-20	1.000	27	2,225	0.04		
CM5	CML5	0.313	0.875	0.437	0.312	0.625	1.875	5/16-24	1.250	22	3,600	0.07		
CM6	CML6	0.375	1.000	0.500	0.359	0.719	1.938	3/8-24	1.250	22	5,100	0.11		
CM7	CML7	0.438	1.125	0.562	0.406	0.812	2.125	7/16-20	1.375	21	6,402	0.15		
CM8	CML8	0.500	1.312	0.625	0.453	0.937	2.438	1/2-20	1.500	20	8,386	0.24		
CM10	CML10	0.625	1.500	0.750	0.484	1.125	2.625	5/8-18	1.625	26	9,813	0.36		
CM12	CML12	0.750	1.750	0.875	0.593	1.312	2.875	3/4-16	1.750	24	14,290	0.57		

CF-Series -- Female, 2-Piece, Steel														
									MATERIALS					
									BALL			BODY		
									<b>52100 Steel</b> <b>Rc 56 MIN.</b> <b>Hard Chrome Plated</b>			<b>Low Carbon Steel</b> <b>Zinc Plated</b> <b>Chromate Treated</b>		
FEMALE ROD ENDS		B	D	W	T	BALL	A	N	C	E	F	a°	ULT LOAD	Approx.
Right Hand Part Number	Left Hand Part Number	Length	Length	Width	Width	Diam	Length	Thread	Length	Diam	Flat	Angle	Static/Radial	Weight
		+0.0025/-0.001	+0.010/-0.010	+0.005/-0.005	Ref	Ref	+0.015/-0.015	UNF 3A	+0.062/-0.031	+0.010/-0.010	+0.010/-0.010	Ref.	(lbs)	(lbs)
CF3	CFL3	0.190	0.625	0.312	0.234	0.437	1.062	10-32	0.500	0.406	0.312	20	2,100	0.04
CF4	CFL4	0.250	0.750	0.375	0.250	0.500	1.312	1/4-20	0.687	0.468	0.375	27	3,250	0.05
CF5	CFL5	0.313	0.875	0.437	0.312	0.625	1.375	5/16-24	0.687	0.500	0.437	22	3,934	0.08
CF6	CFL6	0.375	1.000	0.500	0.359	0.719	1.625	3/8-24	0.812	0.687	0.562	22	5,100	0.13
CF7	CFL7	0.438	1.125	0.562	0.406	0.812	1.812	7/16-20	0.937	0.750	0.625	21	6,420	0.18
CF8	CFL8	0.500	1.312	0.625	0.453	0.937	2.125	1/2-20	1.062	0.875	0.750	20	9,100	0.29
CF10	CFL10	0.625	1.500	0.750	0.484	1.125	2.5	5/8-18	1.375	1.000	0.875	26	9,800	0.43
CF12	CFL12	0.750	1.750	0.875	0.593	1.312	2.875	3/4-16	1.562	1.125	1.000	24	14,250	0.65